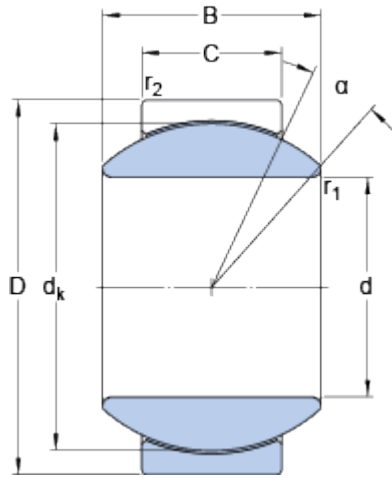


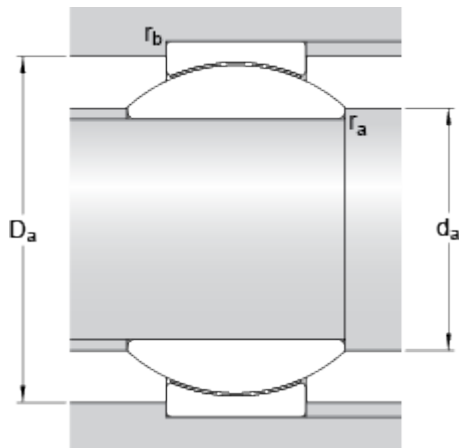
# GEH 25 C

## Dimensions



d		25	mm
D		47	mm
B		28	mm
C		18	mm
$\alpha$		17	°
$d_k$		40.7	mm
$r_1$	min.	0.6	mm
$r_2$	min.	0.6	mm

## Abutment dimensions



$d_a$	min.	27.9	mm
$d_a$	max.	29.5	mm
$D_a$	min.	38.7	mm
$D_a$	max.	44.4	mm
$r_a$	max.	0.6	mm
$r_b$	max.	0.6	mm

## Calculation data

Basic dynamic load rating	C	65.5	kN
Basic static load rating	$C_0$	166	kN
Specific dynamic load factor	K	100	N/mm <sup>2</sup>
Specific static load factor	$K_0$	250	N/mm <sup>2</sup>
Material constant	$K_M$	1400	

## Mass

Mass plain bearing	0.2	kg
--------------------	-----	----